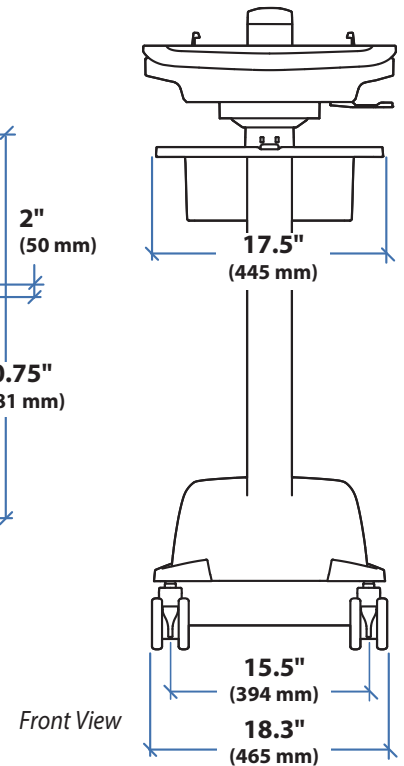
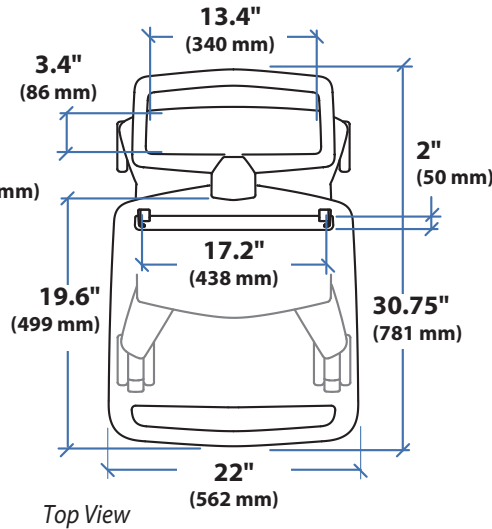
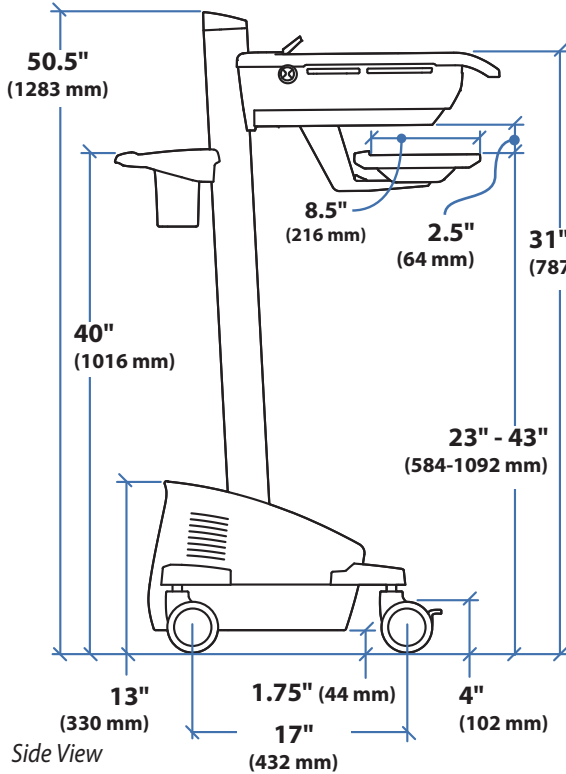
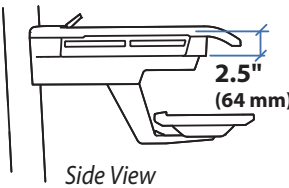
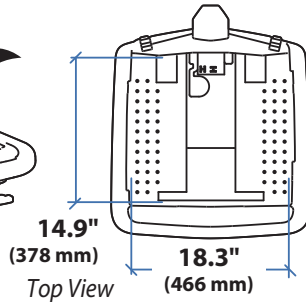
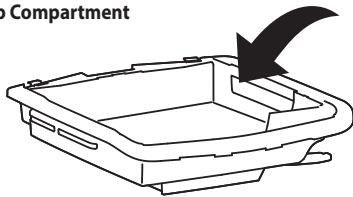


Dimensions

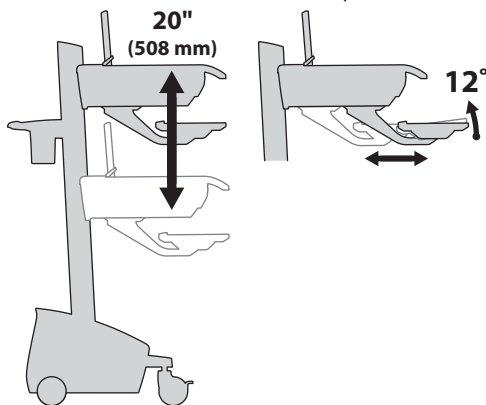


Laptop Compartment



When figuring dimensions, include mounted accessories, protruding cables and port replicators or docking stations.

Range of Motion



Weight Capacity

- Open Worksurface 0 lbs (0 kg)
- Closed Worksurface <5 lbs (2.3 kg)
- CPU Compartment <10 lbs (4.5 kg)

